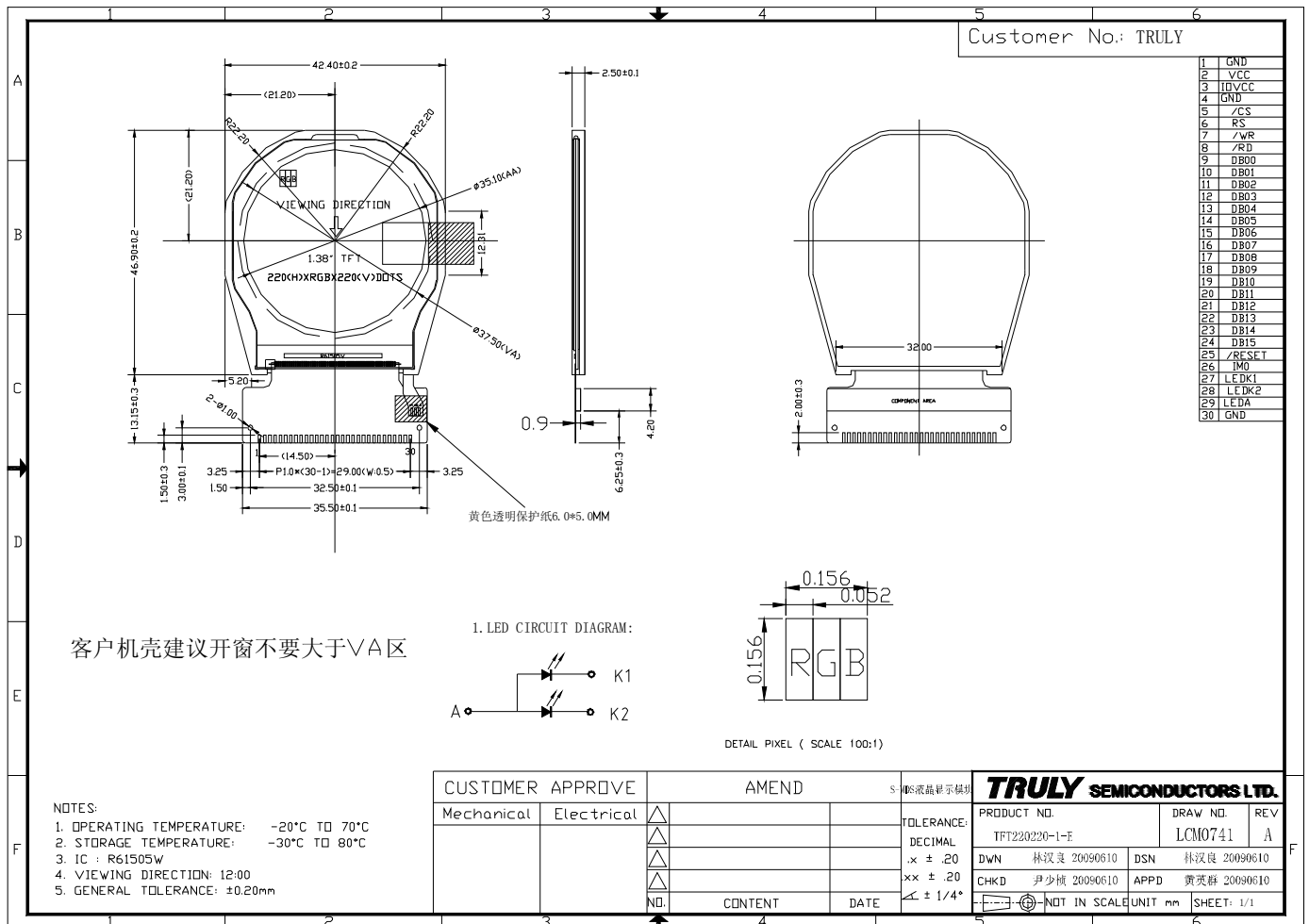


■ GENERAL INFORMATION

Item	Contents	Unit
LCD type	TFT	/
Viewing direction	12:00 O' Clock	6:00O'Clock(Good viewing)
Module area (W × H)	42.40×46.90	mm ²
Viewing area (Φ)	37.5	mm
Active area (Φ)	35.1	mm
Number of Dots	220(RGB)×220	/
Pixel pitch (W × H)	0.156×0.156	mm ²
Driver IC	R61505W	/
Backlight Type	LED	/
Module Power consumption	119	mw
Interface Type	System parallel interface	/
Input voltage	2.8	V

■ EXTERNAL DIMENSIONS



■ ABSOLUTE MAXIMUM RATINGS

Parameter	Symbol	Min	Max	Unit
Supply voltage for logic	V_{CC}/IOV_{CC}	-0.3	4.6	V
Input voltage	V_{IN}	-0.3	$IOV_{CC}+0.3$	V
Operating temperature	T_{op}	-20	70	°C
Storage temperature	T_{ST}	-30	80	°C
Humidity	RH	-	90%(Max60 °C)	RH

■ ELECTRICAL CHARACTERISTICS

DC CHARACTERISTICS

Parameter	Symbol	Min	Typ	Max	Unit
Supply voltage for logic	$V_{CC}-V_{SS}$	2.7	2.8	2.9	V
I/O power supply	IOV_{CC}	1.7/2.7	1.8/2.8	1.9/2.9	V
Input Current	I_{dd}	-	4.65	9.3	mA
Input voltage 'H' level	V_{IH}	$0.8IOV_{CC}$	-	IOV_{CC}	V
Input voltage 'L' level	V_{IL}	-0.3	-	$0.2IOV_{CC}$	V
Output voltage 'H' level	V_{OH}	$0.8IOV_{CC}$	-	-	V
Output voltage 'L' level	V_{OL}	-	-	$0.8IOV_{CC}$	V

■ TIMING OF POWER SUPPLY

PLEASE REFER TO THE DRIVER IC SPECIFICATION.

■ BACKLIGHT CHARACTERISTICS

Item	Symbol	Min.	Typ.	Max.	Unit	Condition
Forward voltage	V_f	2.9	3.1	3.3	V	$I_f=30mA$
Luminance	L_v	3500	4000	4500	cd/m ²	
Number of LED		2				-
Connection mode	P	Parallel				-

Using condition: constant current driving method $I_f=30mA$ (+/-10%).