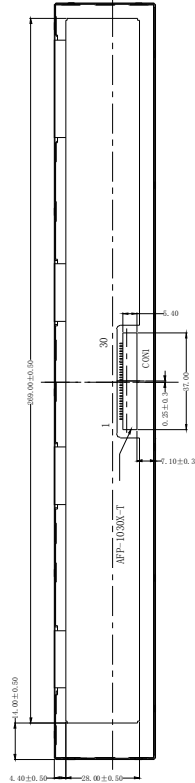
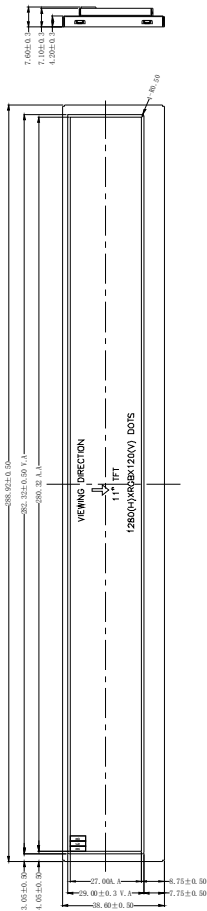


**■ GENERAL INFORMATION**

<b>Item</b>	<b>Contents</b>	<b>Unit/Note</b>
LCD type	TFT	/
Viewing direction	12:00 O' Clock	6:00O' Clock(good viewing)
Module area (W × H)	288.92 × 38.6	mm <sup>2</sup>
Viewing area (W×H)	282.32 × 29.0	mm <sup>2</sup>
Active area (W×H)	280.32 × 27.0	mm <sup>2</sup>
Number of Dots	1280 (RGB) × 120	/
Pixel pitch (W × H)	0.219 × 0.225	mm <sup>2</sup>
Driver IC	HX8655-C & HX8232-B	/
Backlight Type	LED	/
Module Power consumption	3444	mw
Interface Type	Digital RGB 18bit interface	/
Input voltage	3.3	V

**EXTERNAL DIMENSIONS**

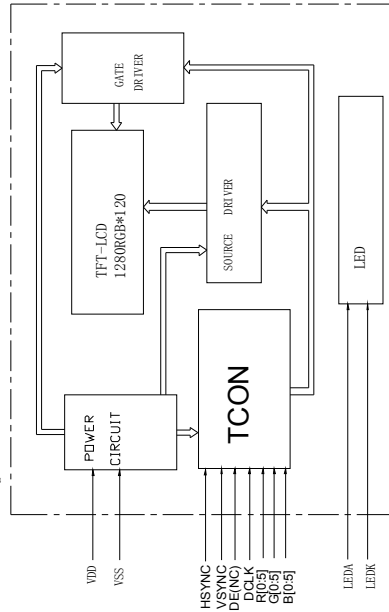
Customer No. :



DETAIL PIXEL ( SCALE 100:1)

CON     ▲ PIN MAP

No.	NAME	No.	NAME
1	VDD	16	VSS
2	VDD	17	R0
3	B0	18	R1
4	B1	19	R2
5	B2	20	R3
6	B3	21	R4
7	B4	22	R5
8	B5	23	VSS
9	VSS	24	DCLK
10	G0	25	VSS
11	G1	26	HSYNC
12	G2	27	VSYNC
13	G3	28	DE(NC)
14	G4	29	LEDK
15		30	LEDA



**NOTES:**

1. OPERATING TEMPERATURE: -10° C TO 60° C
2. STORAGE TEMPERATURE: -20° C TO 70° C
3. VIEWING DIRECTION: 12:00
4. BACKLIGHT: LED SIDE LIGHT WHITE VF=9.0 TO 5V, IF=180ma
5. VDD=3.3V
6. GENERAL TOLERANCE: ±0.20mm
7. ROHS COMPLIANCE
8. 18-BITS RGB INTERFACE

CUSTOMER APPROVE		AMEND	TRULY SEMICONDUCTORS LTD.	
Mechanical	Electrical		PRODUCT NO.	DRAW NO.
			TFT1280120-1-E	LCM0679
			TOLERANCE:	REV
			DECIMAL	B
			.x ± .50	
			.xx ± .30	
			∠ ± 1/4°	
			DWG	DSN
			尹少楨 2009.09.26	尹少楨 2009.09.26
			CHKD	APPD
			朱金波 2009.09.26	許新杰 2009.09.26
			NO.	UNIT mm
			CONTENT	SHEET:
			DATE	

**■ ABSOLUTE MAXIMUM RATINGS**

Parameter	Symbol	Min	Max	Unit
Supply voltage for logic	V <sub>DD</sub>	-0.3	3.6	V
Input voltage	V <sub>IN</sub>	-0.3	V <sub>DD</sub> +0.3	V
Operating temperature	T <sub>OP</sub>	-20	70	°C
Storage temperature	T <sub>ST</sub>	-30	80	°C
Humidity	RH	-	90%(Max60°C)	RH

**■ ELECTRICAL CHARACTERISTICS**

## DC CHARACTERISTICS

Parameter	Symbol	Min	Typ	Max	Unit
Supply voltage for logic	V <sub>DD</sub> -V <sub>SS</sub>	3.2	3.3	3.4	V
Input Current	I <sub>dd</sub>	-	260	520	mA
Input voltage 'H' level	V <sub>IH</sub>	0.8V <sub>DD</sub>	-	V <sub>DD</sub>	V
Input voltage 'L' level	V <sub>IL</sub>	0	-	0.2V <sub>DD</sub>	V
Output voltage 'H' level	V <sub>OH</sub>	0.8V <sub>DD</sub>	-	V <sub>DD</sub>	V
Output voltage 'L' level	V <sub>OL</sub>	0	-	0.2V <sub>DD</sub>	V

**■ TIMING OF POWER SUPPLY**

PLEASE REFER TO THE DRIVER IC SPECIFICATION.

**■ BACKLIGHT CHARACTERISTICS**

Item	Symbol	Min.	Typ.	Max.	Unit	Condition
Forward voltage	V <sub>f</sub>	9.0	9.6	10.5	V	If=180mA, Ta=25°C
Luminance	L <sub>v</sub>	-	6000	-	Cd/m <sup>2</sup>	
Number of LED	-	27			Piece	-
Connection mode	Series/parallel	3Series,9parallel			-	-

Using condition: constant current driving method If= 180 mA (+/-10%)