



RAYSTAR

曜凌光電股份有限公司

Web: www.raystar-optronics.com E-mail: sales@raystar-optronics.com

RFS520Q-EZW-DBN

SPECIFICATION

General Specifications

- Size: 5.2 inch
- Dot Matrix: 480 x RGB x 128 dots
- Module dimension: 180.0 x 65.0 x 8.8 mm
- Active area: 127.152 x 33.9072 mm
- Dot pitch: 0.0883 x 0.2649 mm
- LCD type: TFT, Normally White, Transmissive
- View Direction: 6 o'clock
- Gray Scale Inversion Direction: 12 o'clock
- Aspect Ratio: Bar Type
- Backlight Type: LED, Normally White
- Driver IC: SSD1963
- Interface: Digital 8080 family MPU 8bit/16bit
- With /Without TP: Without TP
- Surface: Glare

Interface

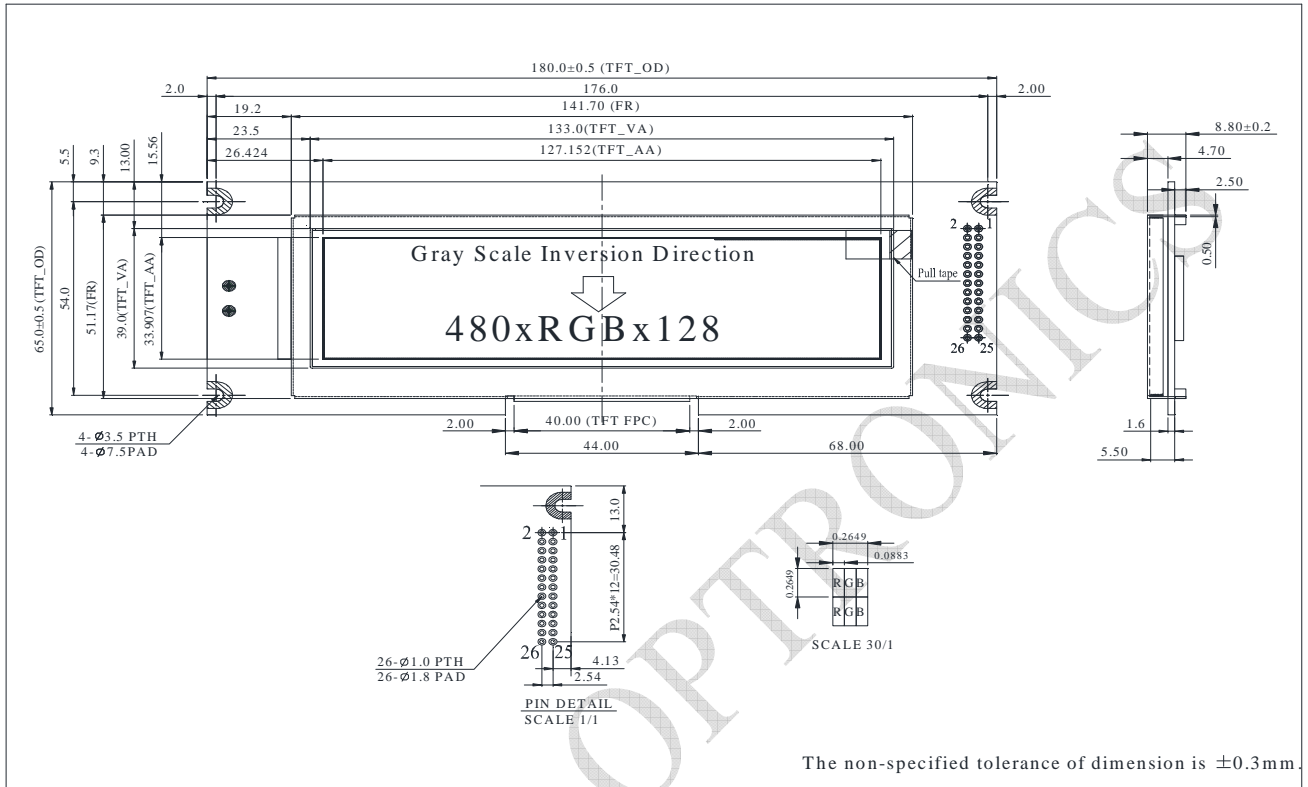
LCM PIN Definition (CON4)

Pin	Symbol	Function
1	GND	System round pin of the IC. Connect to system ground.
2	VDD	Power Supply : +3.3V
3	BL_E	Backlight control signal , H: On \ L: Off
4	D/C	Data/Command select
5	WR	Write strobe signal
6	RD	Read strobe signal
7	DB0	Data bus
8	DB1	Data bus
9	DB2	Data bus
10	DB3	Data bus
11	DB4	Data bus
12	DB5	Data bus
13	DB6	Data bus
14	DB7	Data bus
15	DB8	Data bus (When select 8bits mode, this pin is NC)
16	DB9	Data bus (When select 8bits mode, this pin is NC)
17	DB10	Data bus (When select 8bits mode, this pin is NC)
18	DB11	Data bus (When select 8bits mode, this pin is NC)
19	DB12	Data bus (When select 8bits mode, this pin is NC)
20	DB13	Data bus (When select 8bits mode, this pin is NC)
21	DB14	Data bus (When select 8bits mode, this pin is NC)
22	DB15	Data bus (When select 8bits mode, this pin is NC)
23	NC	No connect
24	NC	No connect
25	CS	Chip select
26	RESET	Hardware reset
27	LR	Right /Left selection; Default R/L is Pull High
28	UD	Up/down selection; Default U/D is Pull High
29	NC	No connection
30	NC	No connection
31	NC	No connection
32	NC	No connection
33	VLED-	VLED- for B/L LED inverter (GND)
34	VLED-	VLED- for B/L LED inverter (GND)
35	VLED+	VLED+ for B/L LED inverter (+5V)
36	VLED+	VLED+ for B/L LED inverter (+5V)

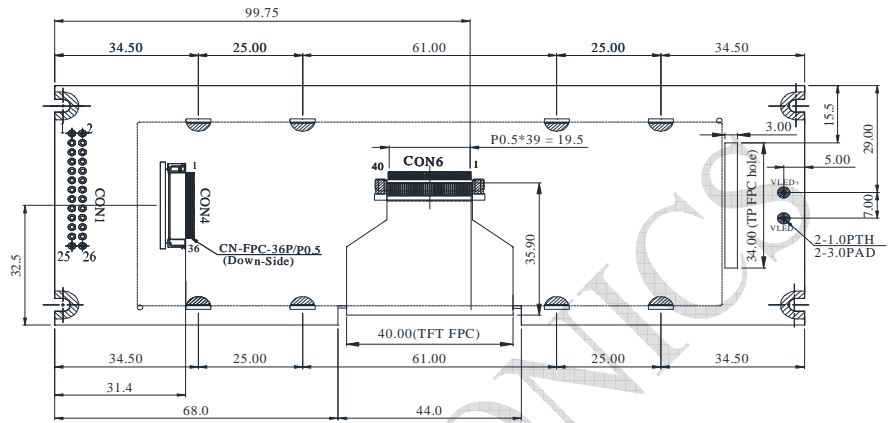
LCM PIN Definition (CON1)

Pin	Symbol	Function
1	NC(FG)	No connect (Frame Grand)
2	GND	System round pin of the IC. Connect to system ground.
3	VDD	Power Supply : +3.3V
4	BLE	Backlight control signal , H: On \ L: Off
5	WR	Write strobe signal
6	RD	Read strobe signal
7	CS	Chip select
8	D/C	Data/Command select
9	NC	No connect
10	RESET	Hardware reset
11	DB0	Data bus
12	DB1	Data bus
13	DB2	Data bus
14	DB3	Data bus
15	DB4	Data bus
16	DB5	Data bus
17	DB6	Data bus
18	DB7	Data bus
19	NC	No connect
20	NC	No connect
21	VLED+	VLED+ for B/L LED inverter (+5V)
22	VLED-	VLED- for B/L LED inverter (GND)
23	NC	No connect
24	NC	No connect
25	NC	No connect
26	GND	Hardware reset

Contour Drawing



CON1		CON4	
PIN NO.	SYMBOL	PIN NO.	SYMBOL
1	NC(FG)	1	GND
2	GND	2	VDD
3	VDD	3	BL_E
4	BLE	4	D/C
5	WR	5	WR
6	RD	6	RD
7	CS	7	DB0
8	D/C	8	DB1
9	NC	9	DB2
10	RESET	10	DB3
11	DB0	11	DB4
12	DB1	12	DB5
13	DB2	13	DB6
14	DB3	14	DB7
15	DB4	15	DB8
16	DB5	16	DB9
17	DB6	17	DB10
18	DB7	18	DB11
19	NC	19	DB12
20	NC	20	DB13
21	VLED+	21	DB14
22	VLED-	22	DB15
23	NC	23	NC
24	NC	24	NC
25	NC	25	CS
26	GND	26	RESET
		27	LR
		28	UD
		29	NC
		30	NC
		31	NC
		32	NC
		33	VLED-
		34	VLED-
		35	VLED+
		36	VLED+



The non-specified tolerance of dimension is $\pm 0.3\text{mm}$.

RAYSTAR OPTRONICS

Absolute Maximum Ratings

Item	Symbol	Min	Typ	Max	Unit
Operating Temperature	TOP	-20	—	+70	°C
Storage Temperature	TST	-30	—	+80	°C

Electrical Characteristics

Operating conditions: (CON3.Pin1=GND, Pin2=VDD)

Item	Symbol	Condition	Min	Typ	Max	Unit
Supply Voltage For LCM	VDD	—	3.0	3.1	3.3	V
Supply Current For LCM	IDD	—	—	200	—	mA

Backlight driving conditions (CON3.Pin33,34=VLED-, Pin35,36=VLED+)

Parameter	Symbol	Min	Typ	Max	Unit
Operation Current For LED Driver	VLED=5V	—	250	—	mA
Supply Voltage For LED Driver	VLED+	—	5	—	V
LED Life Time		—	50,000	—	Hr