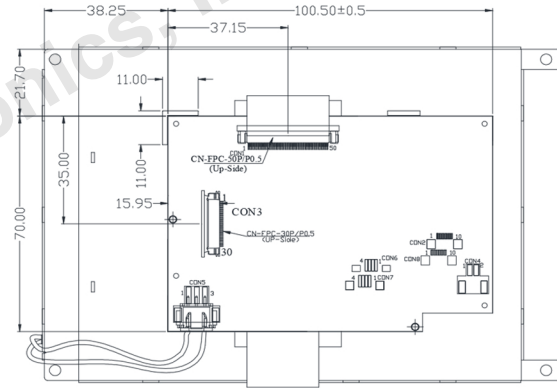
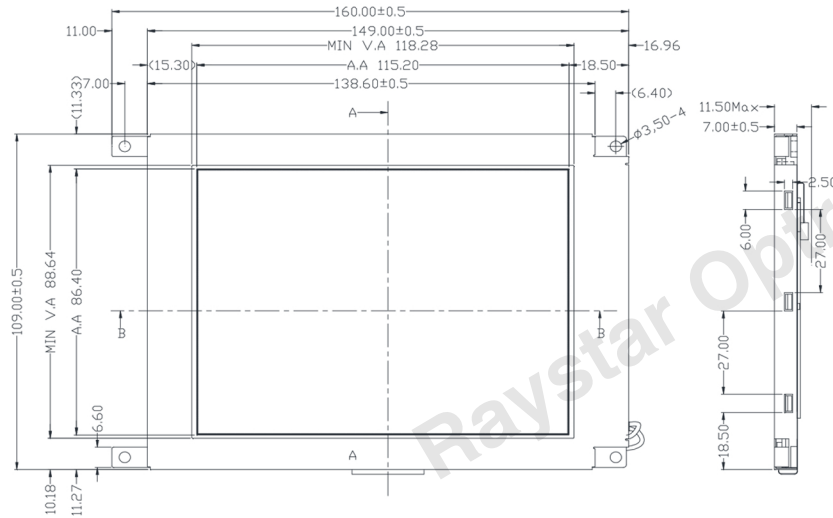


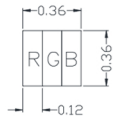


Your Best Partner of the Display Solutions

RFC570B-SCW-LNN TFT 320x240 dots



CON3	
1	LED+
2	LED-
3	RX3+
4	RX3-
5	GND
6	RXC+
7	RXC-
8	GND
9	RX2+
10	RX2-
11	GND
12	RX1+
13	RX1-
14	GND
15	RX0+
16	RX0-
17	L/R
18	U/D
19	VCC
20	VCC
21	NC/CTP_SCL
22	NC/CTP_SDA
23	NC/CTP_RST
24	NC/CTP_WARE
25	NC/CTP_INT
26	NC
27	NC
28	NC
29	NC
30	RESET



SCALE:50X

The non-specified tolerance of dimension is $\pm 0.3\text{mm}$.