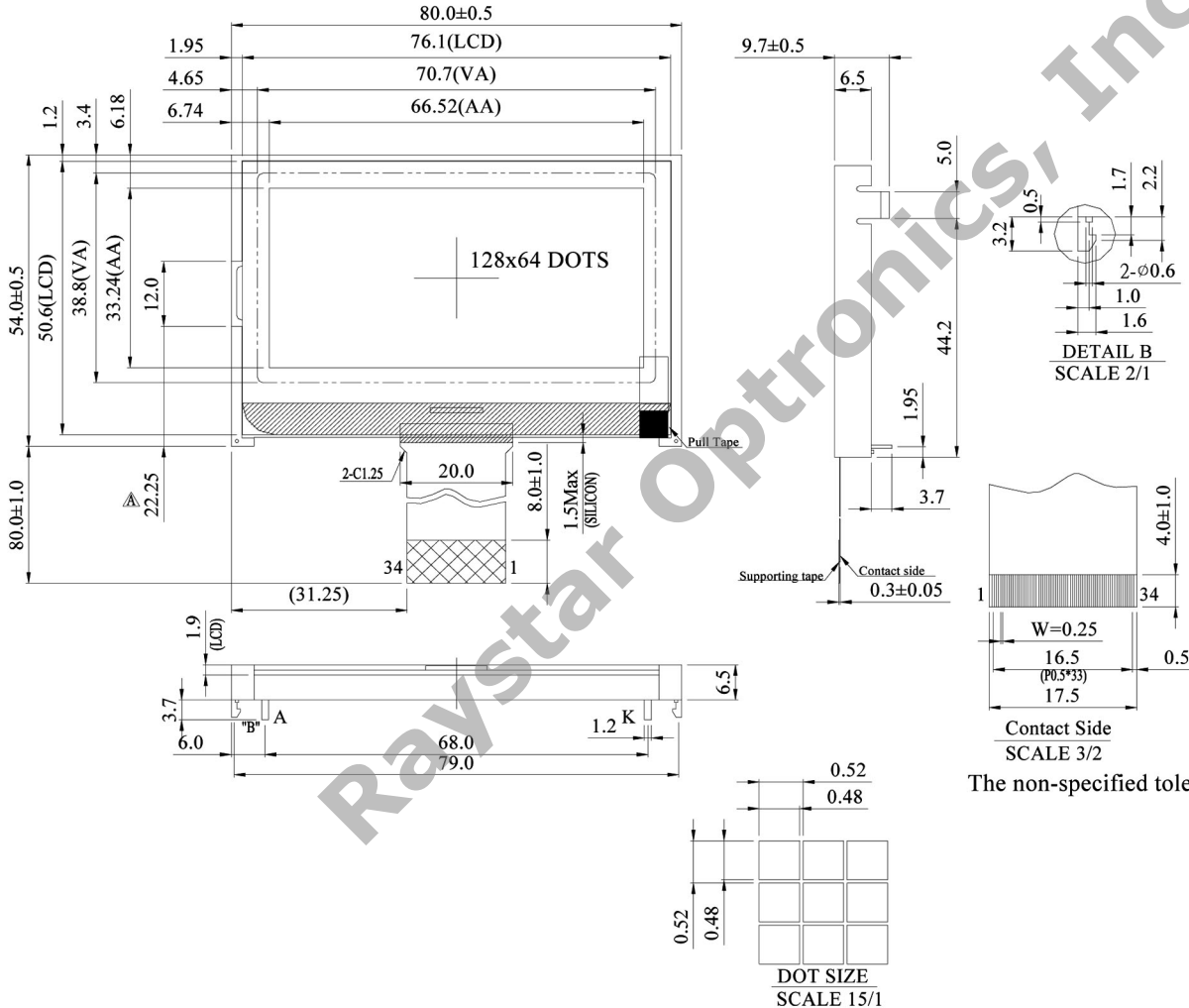


RX12864D3 COG 128x64 dots



PIN NO.	SIGNAL	PIN NO.	SIGNAL
1	CS $\bar{1}$	18	CAP3+
2	RES	19	CAP1-
3	A0	20	CAP1+
4	WR (R/W)	21	CAP2+
5	RD (E)	22	CAP2-
6	D0	23	CAP4+
7	D1	24	VRS
8	D2	25	V4
9	D3	26	V3
10	D4	27	V2
11	D5	28	V1
12	D6	29	V0
13	D7	30	VR
14	VDD	31	C86
15	VSS	32	P/S
16	VOUT	33	HPM
17	CAP5+	34	IRS

The non-specified tolerance of dimension is $\pm 0.3\text{mm}$.