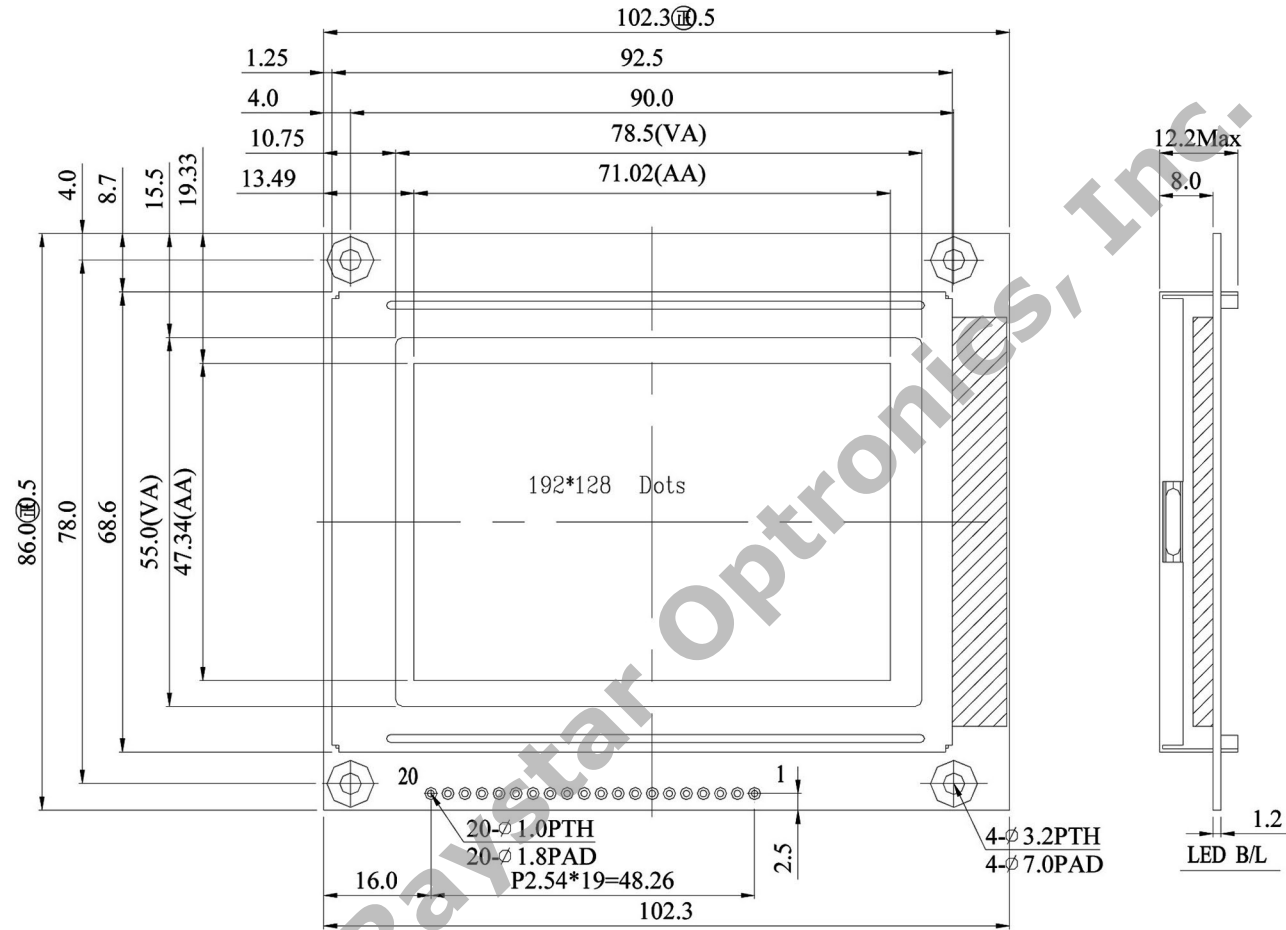
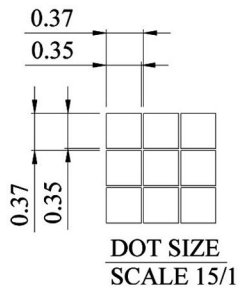


RG192128C Graphic 192x128 dots



PIN NO.	SYMBOL
1	V _{SS}
2	V _{DD}
3	V _O
4	C/D
5	RD
6	WR
7	DB0
8	DB1
9	DB2
10	DB3
11	DB4
12	DB5
13	DB6
14	DB7
15	CE
16	RST
17	V _{EE}
18	NC
19	A
20	K



The non-specified tolerance of dimension is $\pm 0.3\text{mm}$.