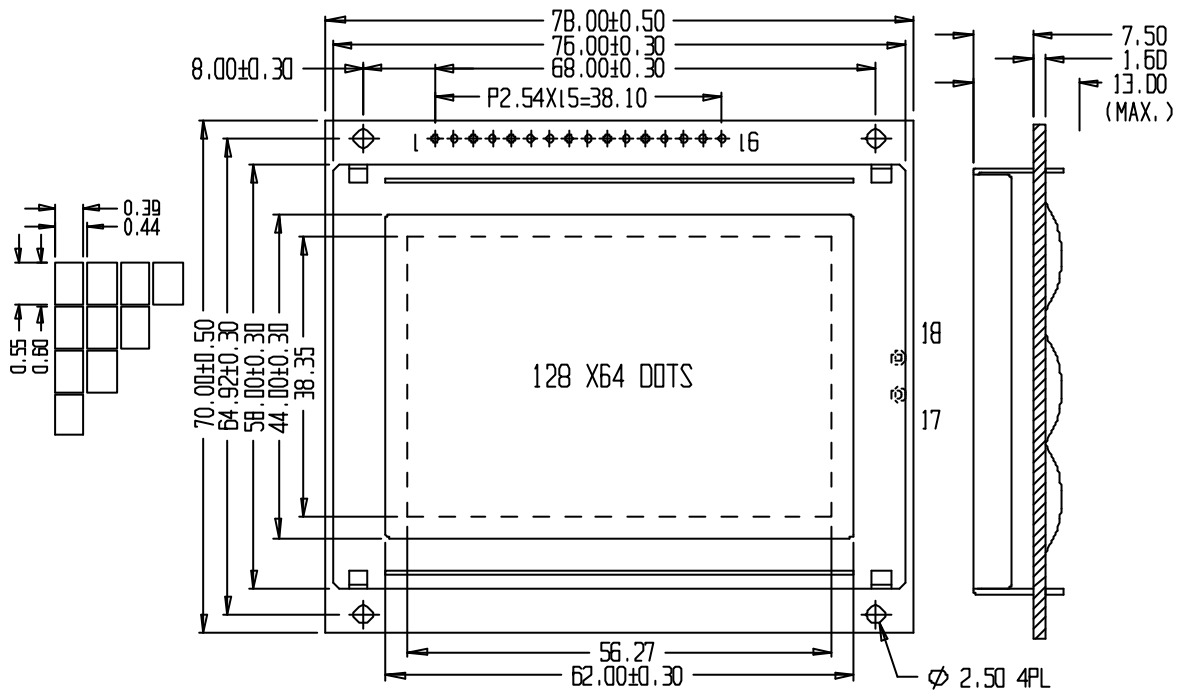


## ! Physical data

Item	Contents	Unit
LCD type	FSTN	---
LCD duty	1/64	---
LCD bias	1/9	---
Viewing direction	12	o'clock
Module size (W×H×T)	78×70×13MAX (3.07"×2.76"×0.51"MAX)	mm
Viewing area (W×H)	62×44 (2.44"×1.73")	mm
Number of dots	128×64	dots
Dot size (W×H)	0.39×0.55 (0.015"×0.022")	mm
Dot pitch (W×H)	0.44×0.60 (0.017"×0.024")	mm

## ! External dimensions



## ! Block diagram

