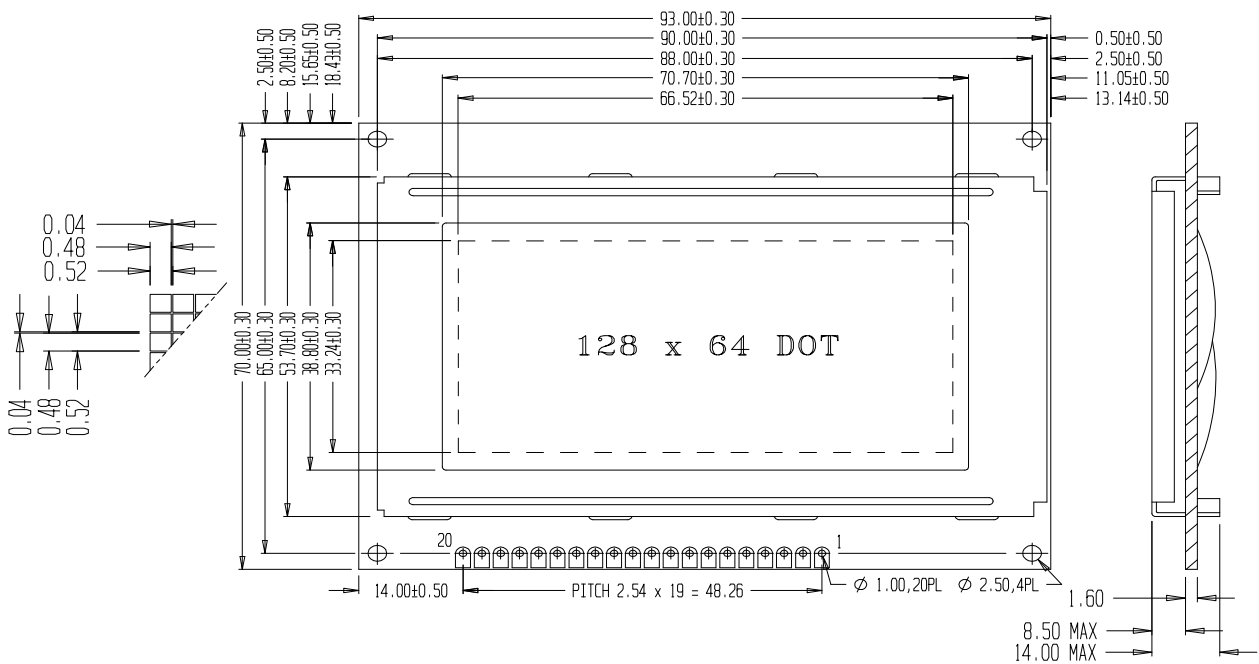


! Physical data

Item	Contents	Unit
LCD type	STN	---
LCD duty	1/64	---
LCD bias	1/9	---
Viewing direction	6	o'clock
Module size (WxHxT)	93 x 70 x 14MAX (3.66" x 2.76" x 0.55"MAX)	mm
Viewing area (WxH)	70.7 x 38.8 (2.78" x 1.53")	mm
Number of dots	128 x 64	dots
Dot size (WxH)	0.48 x 0.48 (0.019" x 0.019")	mm
Dot pitch (WxH)	0.52 x 0.52 (0.020" x 0.020")	mm

! External dimensions



! Block diagram

20	19	18	17	16	15	14	13	12	11	10	9	8	7	6	5	4	3	2	1
BLK	BLA	VOUT	RSTB	CS2	CS1	DB7	DB6	DB5	DB4	DB3	DB2	DB1	DB0	E	R/W	RS	VO	VDD	VSS

