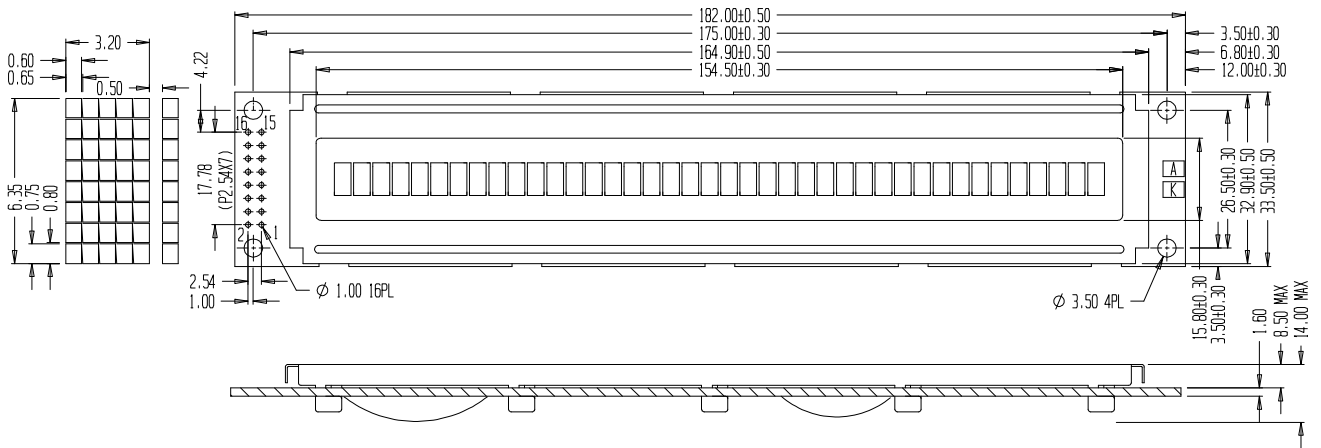


! Physical data

Item	Contents	Unit
LCD type	STN	---
LCD duty	1/16	---
LCD bias	1/5	---
Viewing direction	6	o'clock
Module size (WxHxT)	182 x 33.5 x 14MAX (7.17" x 1.32" x 0.55"MAX)	mm
Viewing area (WxH)	154.5 x 15.8 (6.08" x 0.62")	mm
Number of characters (charactersxlines)	40 x 1	---
Character matrix (WxH)	5 x 8	dots
Character size (WxH)	3.20 x 6.35 (0.126" x 0.250")	mm
Dot size (WxH)	0.60 x 0.75 (0.024" x 0.030")	mm
Dot pitch (WxH)	0.65 x 0.80 (0.026" x 0.031")	mm

! External dimensions



! Block diagram

1	2	3	4	5	6	7	8	9	10	11	12	13	14	15	16
VSS	VDD	VO	RS	R/W	E	DB0	DB1	DB2	DB3	DB4	DB5	DB6	DB7	BLA	BLK

