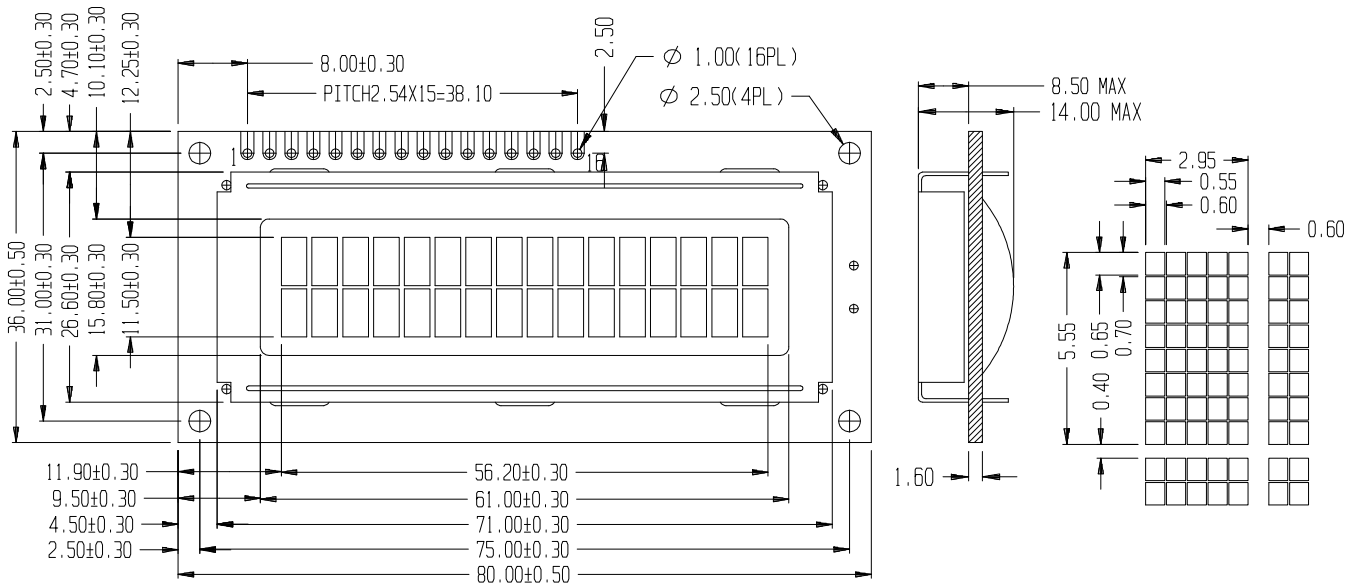


! Physical data

Item	Contents	Unit
LCD type	STN	---
LCD duty	1/16	---
LCD bias	1/5	---
Viewing direction	6	o'clock
Module size (WxHxT)	80 x 36 x 14MAX (3.15" x 1.42" x 0.55"MAX)	mm
Viewing area (WxH)	61 x 15.8 (2.40" x 0.62")	mm
Number of characters (charactersxlines)	16 x 2	---
Character matrix (WxH)	5 x 8	dot
Character size (WxH)	2.95 x 5.55 (0.116" x 0.219")	mm
Dot size (WxH)	0.55 x 0.65 (0.022" x 0.026")	mm
Dot pitch (WxH)	0.60 x 0.70 (0.024" x 0.028")	mm

! External dimensions



! Block diagram

1	2	3	4	5	6	7	8	9	10	11	12	13	14	15	16
VSS	VDD	VO	RS	R/W	E	DB0	DB1	DB2	DB3	DB4	DB5	DB6	DB7	BLA	BLK

