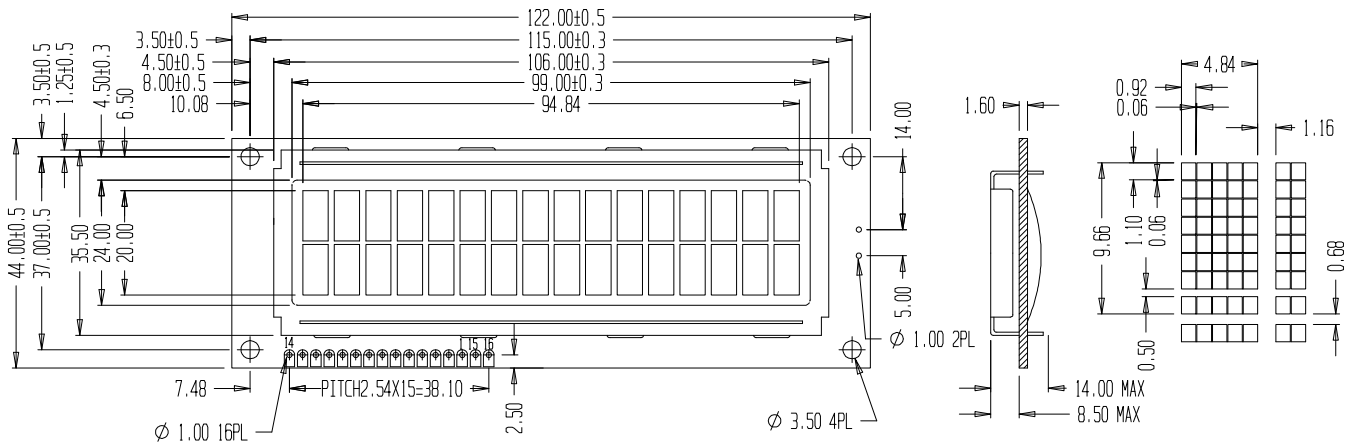


! Physical data

Item	Contents	Unit
LCD type	STN	---
LCD duty	1/16	---
LCD bias	1/5	---
Viewing direction	6	o'clock
Module size (WxHxT)	122 x 44 x 14MAX (4.80" x 1.73" x 0.55"MAX)	mm
Viewing area (WxH)	99 x 24 (3.90" x 0.94")	mm
Number of characters (charactersxlines)	16 x 2	---
Character matrix (WxH)	5 x 8	dot
Character size (WxH)	4.84 x 9.66 (0.191" x 0.380")	mm
Dot size (WxH)	0.92 x 1.10 (0.036" x 0.043")	mm
Dot pitch (WxH)	0.98 x 1.16 (0.039" x 0.046")	mm

! External dimensions



! Block diagram

1	2	3	4	5	6	7	8	9	10	11	12	13	14	15	16
VSS	VDD	VO	RS	R/W	E	DB0	DB1	DB2	DB3	DB4	DB5	DB6	DB7	BLA	BLK

