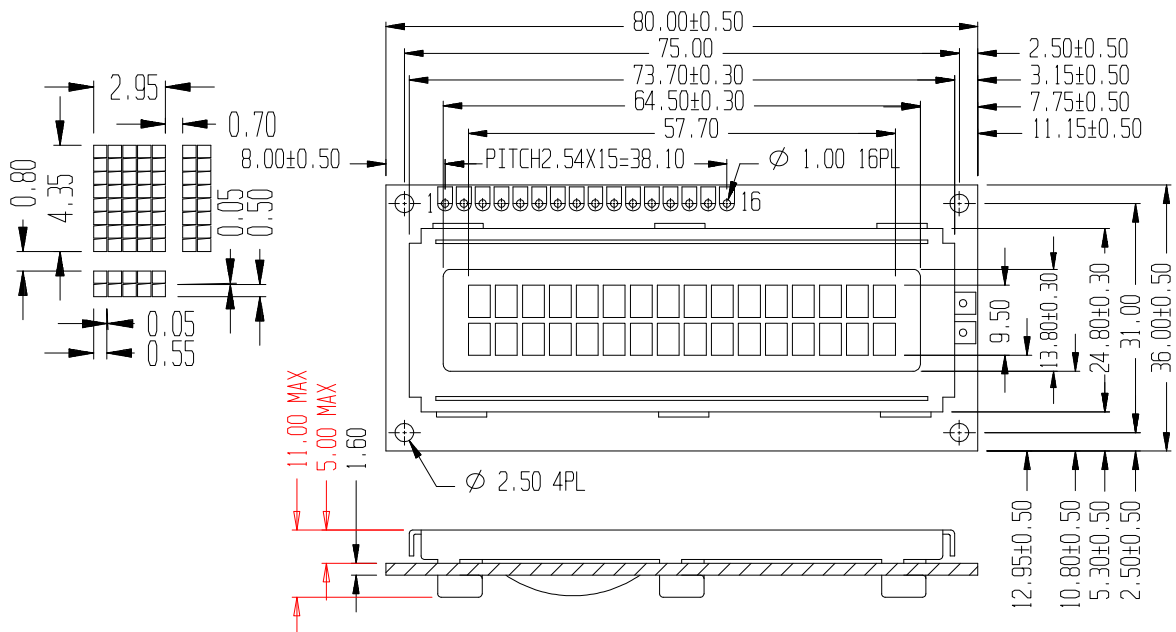


## ! Physical data

Item	Contents	Unit
LCD type	STN	---
LCD duty	1/16	---
LCD bias	1/5	---
Viewing direction	6	o'clock
Module size (WxHxT)	80 x 36 x 11MAX(3.15" x 1.42" x 0.43"MAX)	mm
Viewing area (WxH)	64.5 x 13.8 (2.54" x 0.54")	mm
Number of characters (charactersxlines)	16 x 2	---
Character matrix (WxH)	5 x 8	dots
Character size (WxH)	2.95 x 4.35 (0.116" x 0.171")	mm
Dot size (WxH)	0.55 x 0.50 (0.022" x 0.020")	mm
Dot pitch (WxH)	0.60 x 0.55 (0.024" x 0.022")	mm

## ! External dimensions



## ! Block diagram

1	2	3	4	5	6	7	8	9	10	11	12	13	14	15	16
VSS	VDD	VO	RS	R/W	E	DB0	DB1	DB2	DB3	DB4	DB5	DB6	DB7	NC	NC

